

U Series



UL Recognized
CSA Certified
VDE Approved



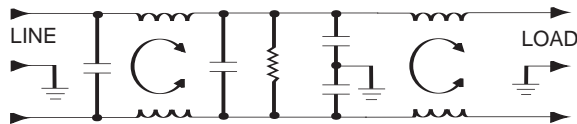
U Series

The U series is designed to meet the RFI needs created by power factor corrected power supplies. This high performance filter offers a high impedance circuit to mismatch the power supply's impedance characteristics. The economical design allows superior performance at a reasonable price.

The PC board mountable version has a low profile case which adapts well to most modular power converter applications.

All models meet low leakage current requirements of VDE portable equipment, and (120 Volt) UL544 and UL2601 non-patient medical equipment.

Electrical Schematic



Resistor location for reference only.

Specifications

- Maximum leakage current, each line-to-ground**
 - @ 120 VAC 60 Hz: .30 mA
 - @ 250 VAC 50 Hz: .50 mA
- Hipot rating (one minute):**
 - line-to-ground 2250 VDC
 - line-to-line 1450 VDC
- Operating frequency:** 50/60 Hz
- Rated voltage (max.):** 250 VAC
- Rated current:** 6.5 amps

Minimum insertion loss in dB:

Line-to-ground in 50 ohm circuit

Current Rating	Frequency-MHz							
	.05	.1	.15	.5	1	5	10	30
6A	4	30	40	70	70	70	65	50

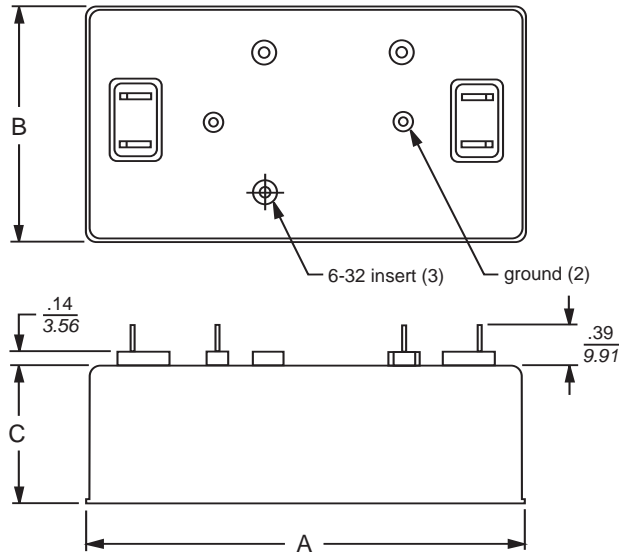
Line-to-line in 50 ohm circuit

Current Rating	Frequency-MHz							
	.05	.1	.15	.5	1	5	10	30
6A	10	35	45	70	70	70	65	55

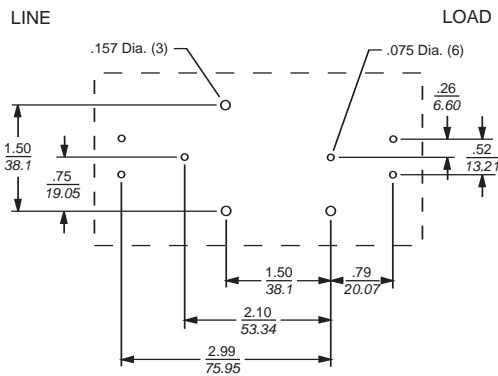
U Series

Case Styles

6EUP



Recommended PC Board Layout



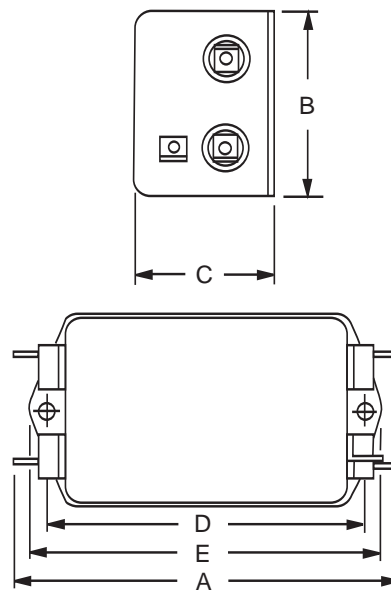
Case Dimensions

Part No.	A (max)	B (max)	C (max)	D $\pm .015$ $\pm .38$	E (max)
6EUP	4.70 119.4	2.51 63.8	1.22 31.0	—	—
6EU1	4.95 125.73	2.27 57.66	1.80 45.72	4.060 103.12	4.47 113.54

Part Numbers

6EUP	6EU1
------	------

6EU1



Typical dimensions:
 Terminals: .250 [6.35] (5) Holes: .07 [1.8] Dia. (4)
 Slot: .07 x .16 [1.8 x 4.1] Mounting holes: .188 [4.78] Dia. (2)